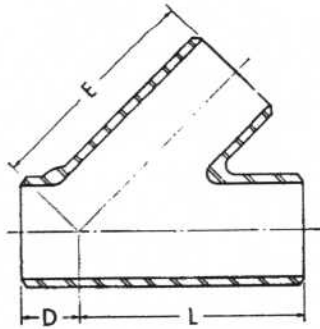


laterals

straight



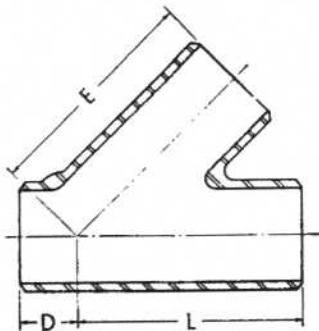
dimensions: All dimensions in inches and are in accordance with ASA B16.9 and MSS-SP-48 where established.

pressure-temperature rating: Identical with those of seamless pipe of same size, thickness, and material grade.

footnotes: •Pipe schedule numbers in accordance with ASA B36.10.

▲This size and thickness does not correspond with any schedule number.

reducing



nominal pipe size	standard		(approx) weight, lb	extra strong		(approx) weight, lb
	L & E	D		L & E	D	
1	5¾	1¾	1.7	6½	2	2.5
1¼	6¼	1¾	2.4	7¼	2¼	3.8
1½	7	2	3.2	8½	2½	5.4
2	8	2½	5.0	9	2½	7.7
2½	9½	2½	9.2	10½	2½	13.5
3	10	3	12.6	11	3	18.8
3½	11½	3	17.2	12½	3	25.6
4	12	3	20.8	13½	3	32.8
5	13½	3½	31.4	15	3½	49.8
6	14½	3½	42.4	17½	4	79
8	17½	4½	76	20½	5	140
10	20½	5	124	24	5½	202
12	24½	5½	180	27½	6	273
14	27	6	218	31	6½	340
16	30	6½	275	34½	7½	433
18	32	7	326	37½	8	526
20	35	8	396	40½	8½	628
24	40½	9	544	47½	10	882